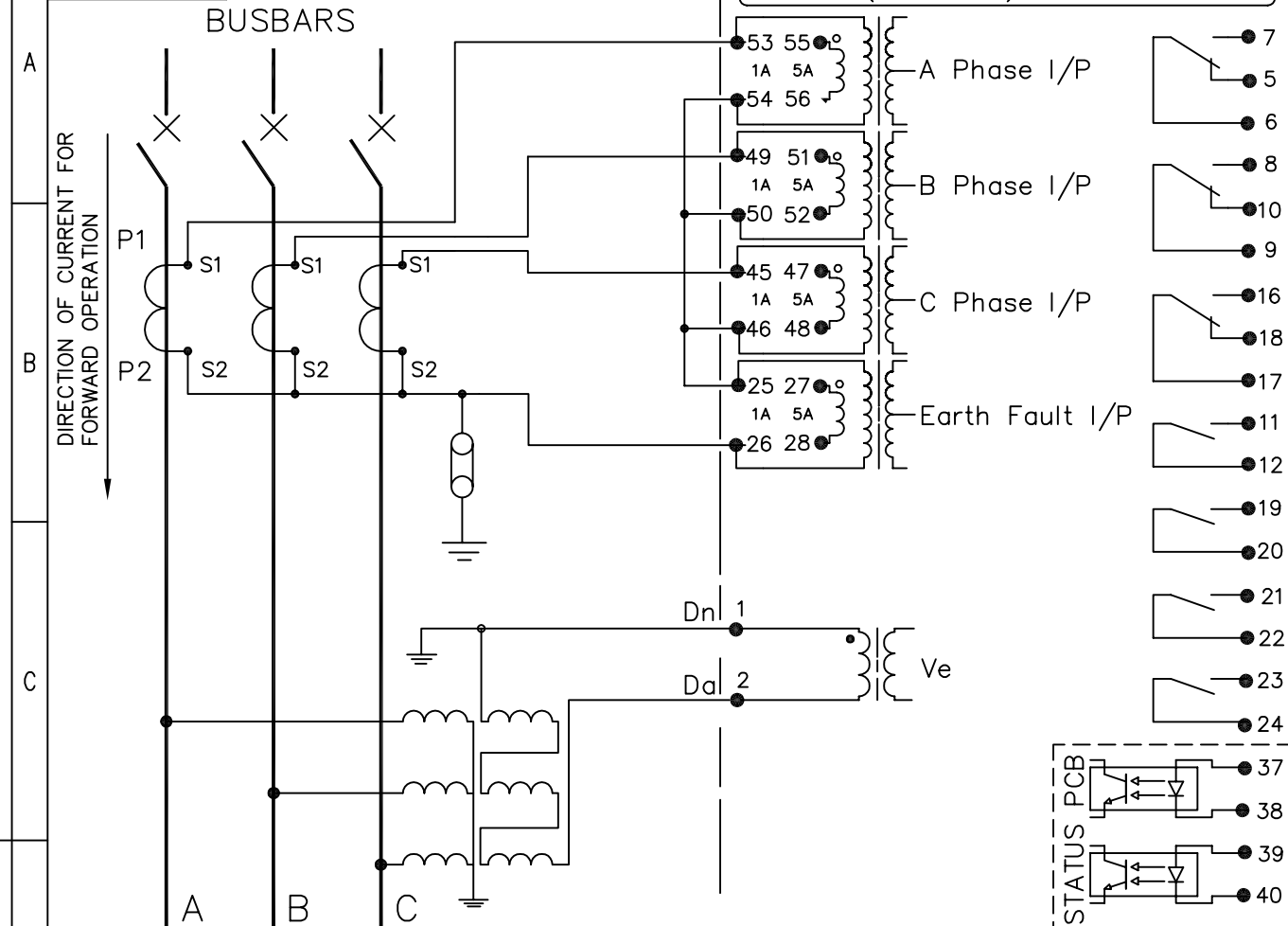
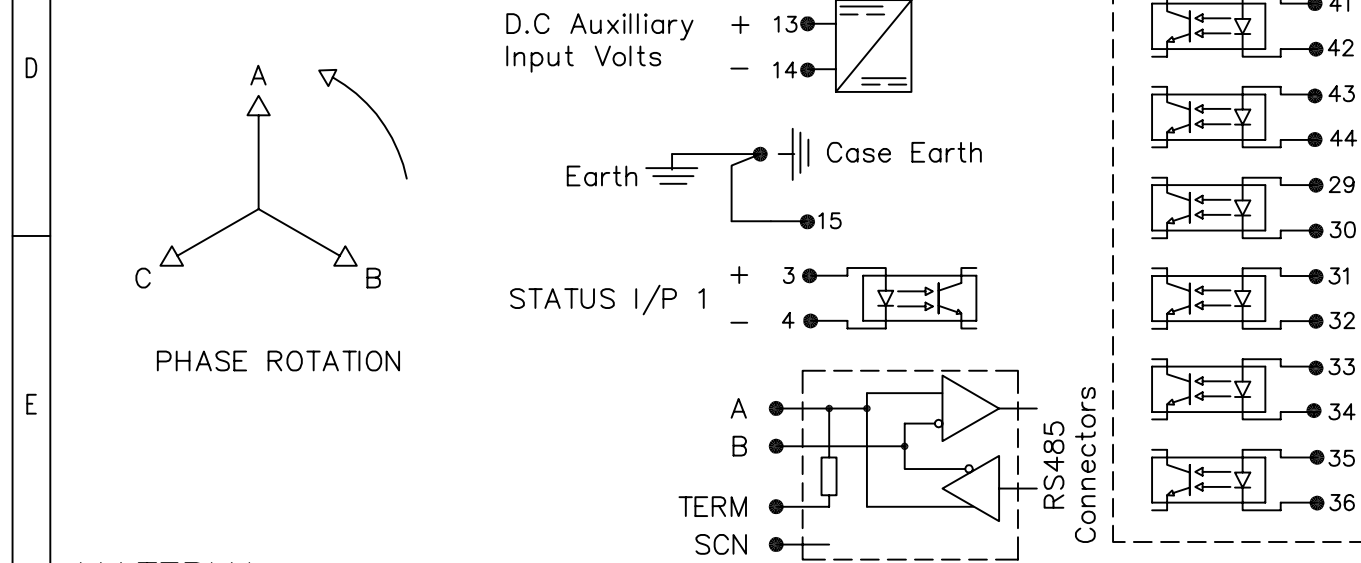
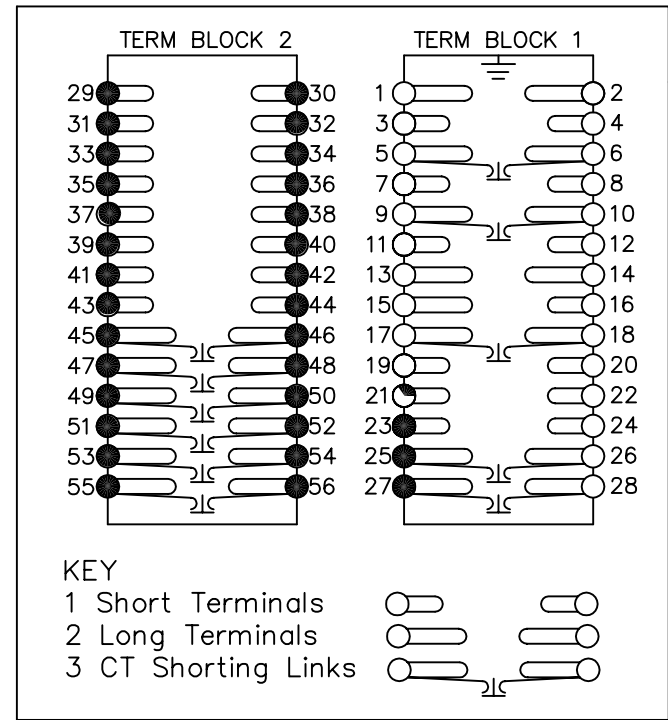


IF IN DOUBT ASK
DO NOT SCALE



TERMINAL BLOCKS VIEWED FROM REAR



- RELAY 1 (Terminals 7, 5, 6)
- RELAY 2 (Terminals 8, 10, 9)
- RELAY 3 (Terminals 16, 18)
- RELAY 4 (Terminals 17, 11, 12)
- RELAY 5 (Terminals 19, 20)
- RELAY 6 (Terminals 21, 22)
- RELAY 7 (Terminals 23, 24)
- + STATUS I/P 9 (CLOSE & RECLAIM) (Terminals 37, 38)
- STATUS I/P 8 (TRIP & LOCKOUT) (Terminals 39, 40)
- + STATUS I/P 7 (CB. CLOSED) (Terminals 41, 42)
- STATUS I/P 6 (CB. OPEN) (Terminals 43, 44)
- + STATUS I/P 5 (Terminals 29, 30)
- STATUS I/P 4 (Terminals 31, 32)
- + STATUS I/P 3 (Terminals 33, 34)
- STATUS I/P 2 (Terminals 35, 36)

FOR INFORMATION ONLY
UNCONTROLLED COPY
NOT SUBJECT TO UPDATE

- NOTES
- 1 CT CIRCUITS ARE SHOWN CONNECTED TO RELAY 1 AMP TAP. USE ALTERNATIVE TAP FOR 5AMP RATED CTs.
 - 2 CT & EARTH CONNECTIONS ARE TYPICAL ONLY.
 - 3 FOR TERMINAL DIAGRAM SEE 2716W50003 (A2)
 - 4 THIS DIAGRAM IS USED FOR BOTH ARGUS 5 & 6.

MATERIAL:

Dimensions in millimetres : Surface texture in micrometres.
Machine where marked ✓
For explanation of dimensions, tolerances, notes etc. see B.S.308.
Limit on untoleranced unmachined dimensions ± _____
Limits on untoleranced machined dimensions to B.S.4500;
i.e. up to 6±0.1; over 30 to 120±0.3; over 315±0.8;
over 6 to 30±0.2; over 120 to 315±0.5;
General unmachined angular tolerance ± _____

Finish: _____
Treatment: _____

Title:
TYPICAL SCHEMATIC DIAGRAM 3 PHASE & DIR E/F RS485
NUMERIC OVERCURRENT PROTECTION (ARGUS 5&6) EPSILON

**Reyrolle Protection
Hebburn.**

First used on:
Similar Articles: 2716W10012
Supersedes:
Org. No.
2716W10016

Copyright © 2005 Reyrolle Ltd.

1	04/11/05	CHANGE NOTED
ISSUE	DATE	NOTED